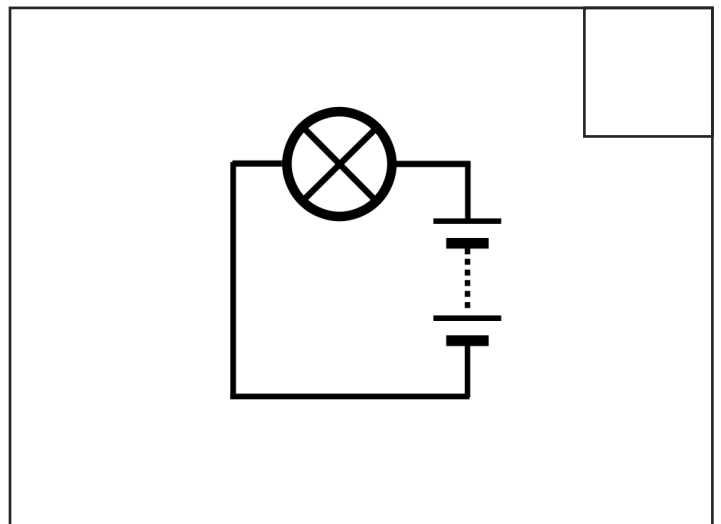
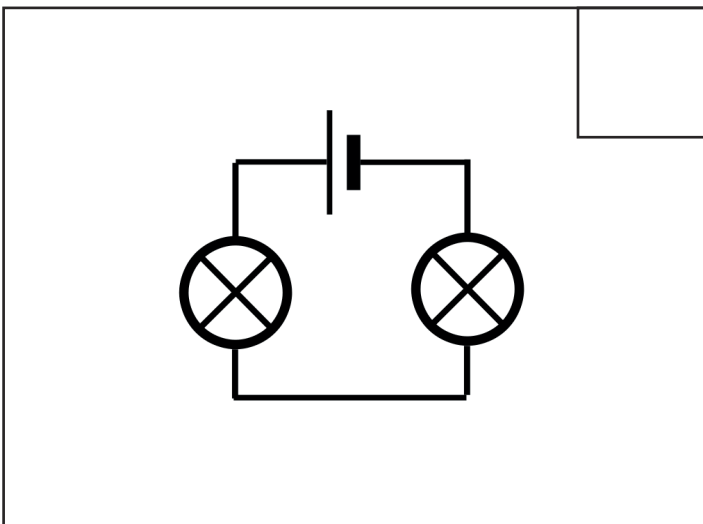
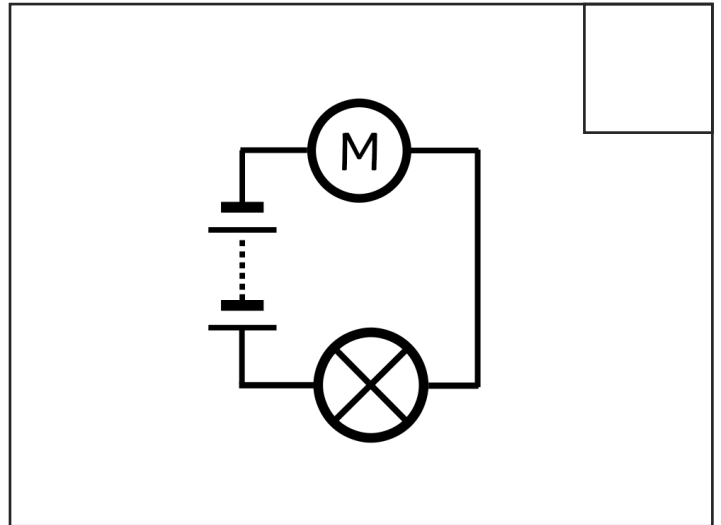
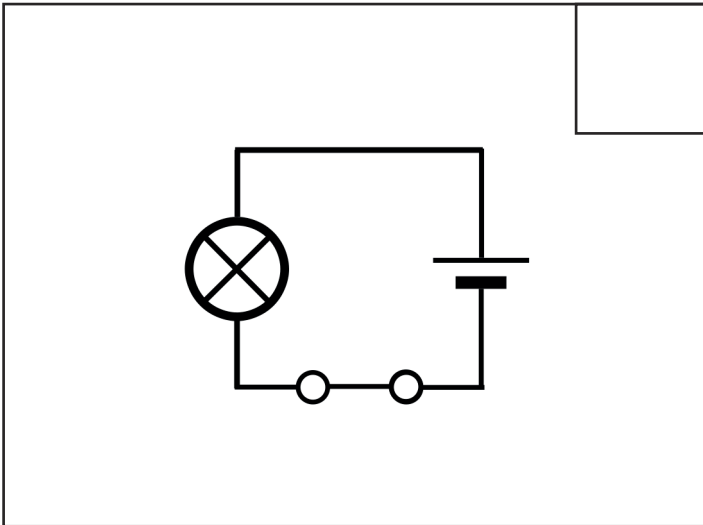
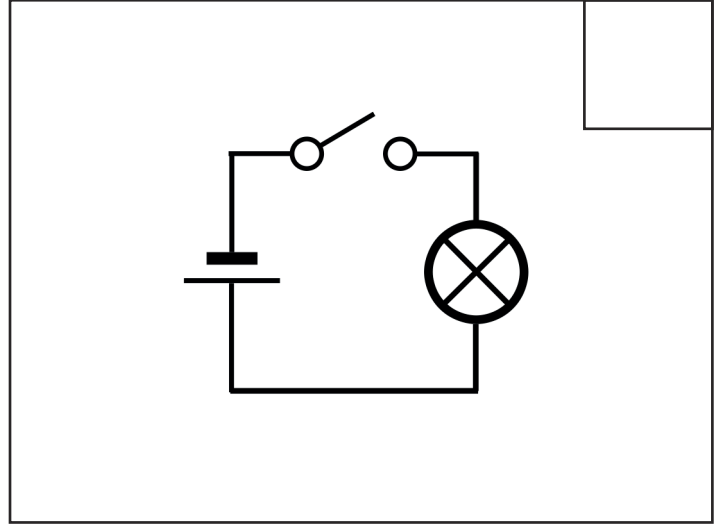
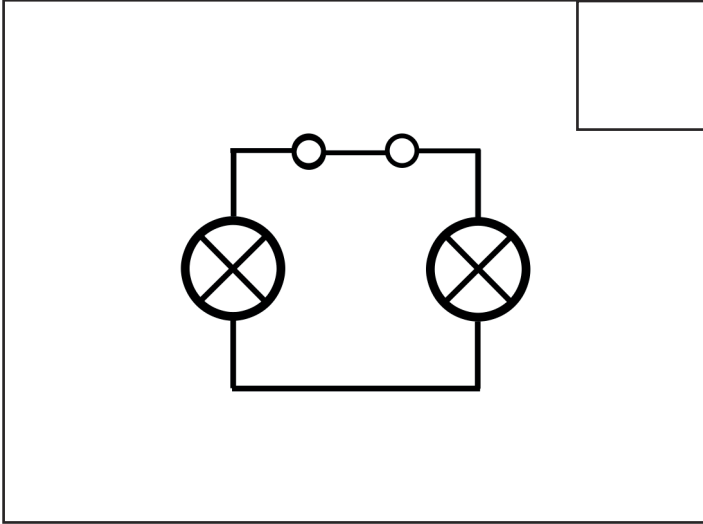


Circuits

Mark the circuit diagrams with a tick if you think the bulb will light.

Put a cross if you think the bulb will not light.



Circuits Answers

