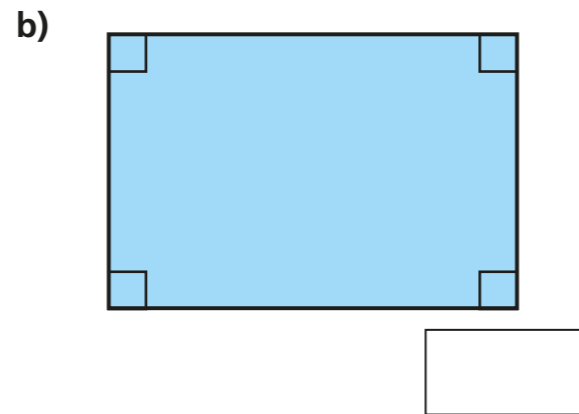
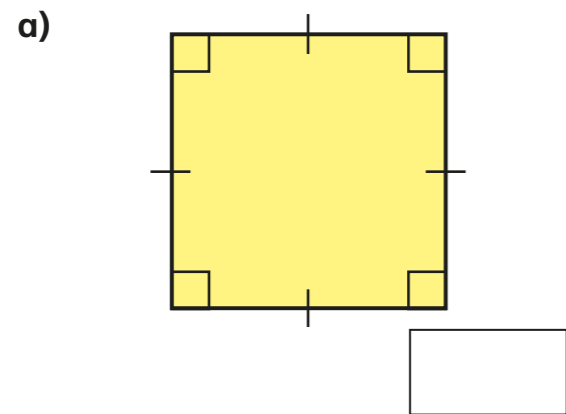


# Angles in special quadrilaterals

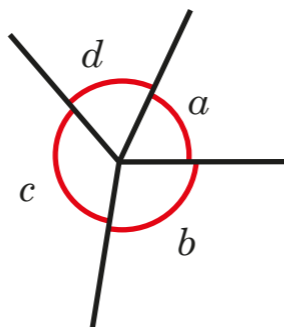
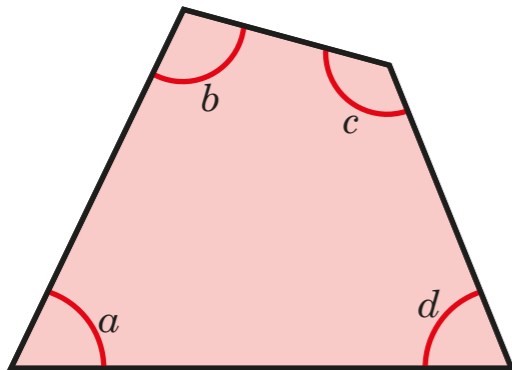
1 Work out the sum of the angles in each shape.



What do you notice?



2 The diagrams show the four vertices of a quadrilateral arranged around a point.



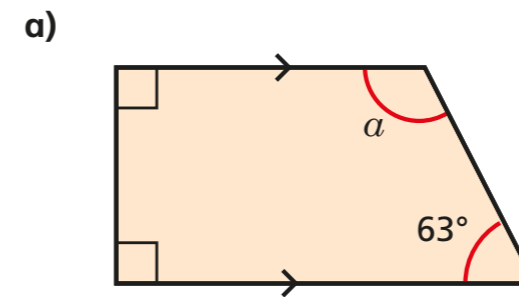
What do the diagrams illustrate about the sum of the angles in a quadrilateral?

Complete the sentence.

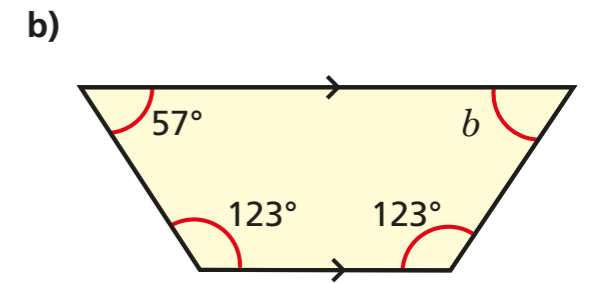
Angles in a quadrilateral \_\_\_\_\_



3 Work out the size of the unknown angle in each trapezium.



$a =$

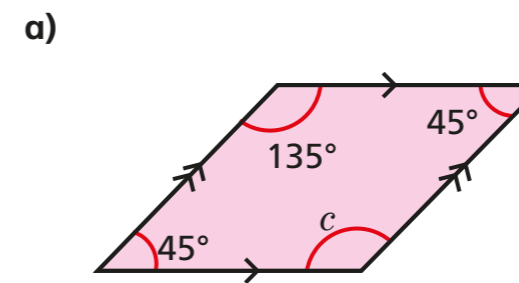


$b =$

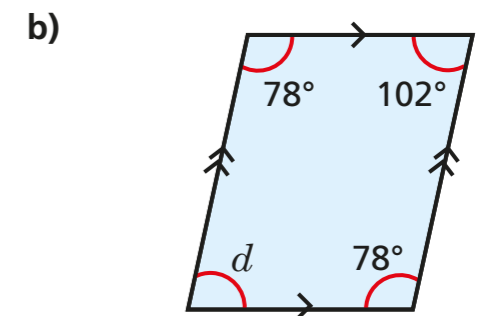
c) What is the same and what is different about the trapeziums?



4 Work out the sizes of the unknown angles.



$c =$



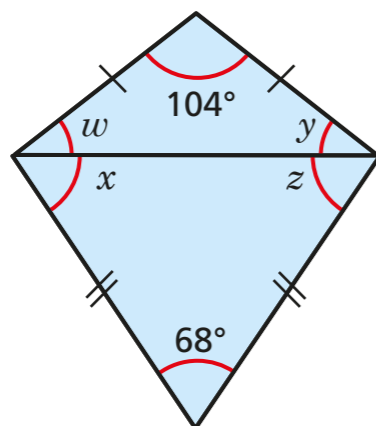
$d =$

c) What do you notice about opposite angles in a parallelogram?

\_\_\_\_\_

5 Two isosceles triangles are joined to form a kite.

a) Work out the sizes of the unknown angles.



$w =$    $y =$    $x =$    $z =$

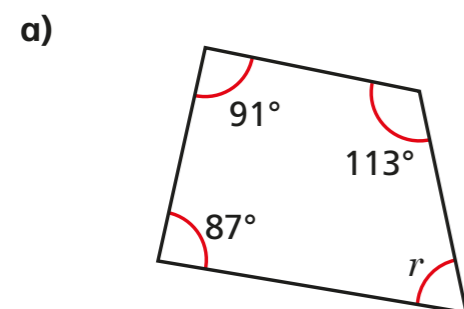
b) Work out  $w + x$ .

c) Work out  $y + z$ .

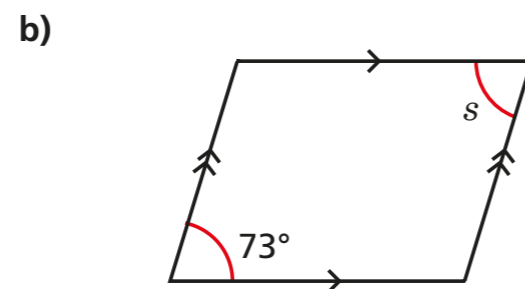
What do you notice? Talk about it with a partner.



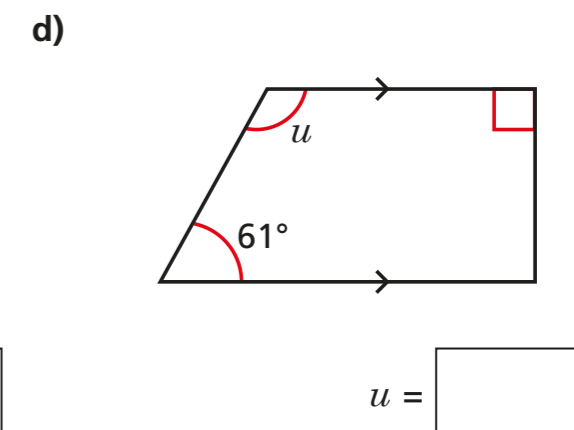
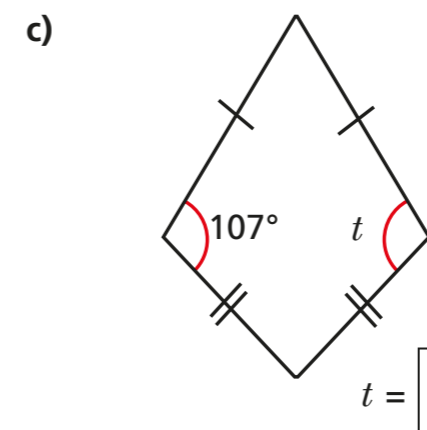
6 Work out the sizes of the unknown angles.



$r =$



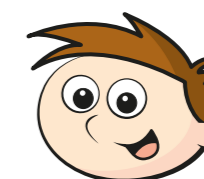
$s =$



Compare your reasoning with a partner.

7 Teddy is drawing a quadrilateral.

My quadrilateral has exactly three right-angles.



Is Teddy's quadrilateral possible? \_\_\_\_\_

Explain your answer.

---



---