

# Varied Fluency

## Step 7: Lengths and Angles in Shapes

### National Curriculum Objectives:

Mathematics Year 5: (5G2a) [Use the properties of rectangles to deduce related facts and find missing lengths and angles](#)

Mathematics Year 5: (5G4b) [Identify: angles at a point and one whole turn \(total 360\), angles at a point on a straight line and  \$\frac{1}{2}\$  a turn \(total 180\) other multiples of  \$90^\circ\$](#)

### Differentiation:

**Developing** Questions to support finding lengths and angles in shapes. Including squares, rectangles and 6 sided rectilinear compound shapes.

**Expected** Questions to support finding lengths and angles in shapes. Including triangles, squares, rectangles and 6 sided rectilinear compound shapes. Some questions using adjoining shapes.

**Greater Depth** Questions to support finding lengths and angles in shapes. Including triangles, quadrilaterals and 8 sided rectilinear compound shapes. More than one adjoining shape per question.

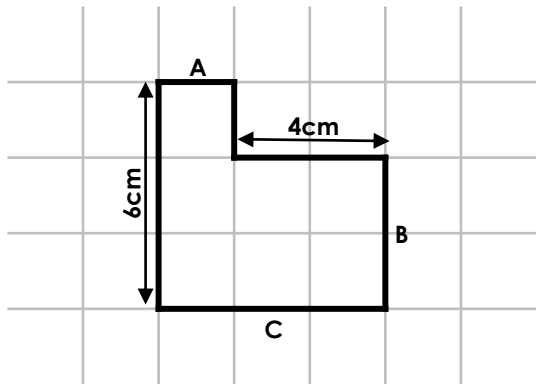
More [Year 5 Properties of Shapes](#) resources.

Did you like this resource? Don't forget to [review](#) it on our website.

# Lengths and Angles in Shapes

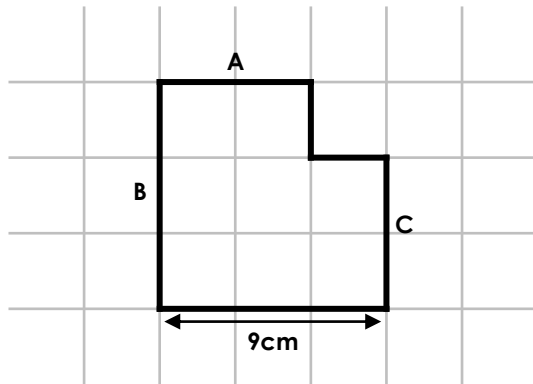
# Lengths and Angles in Shapes

1a. Calculate the length of sides A, B and C.



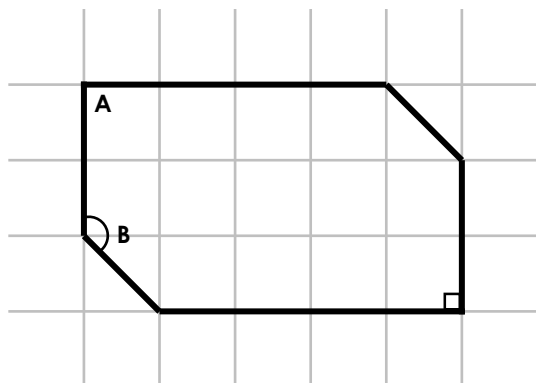
VF

1b. Calculate the length of sides A, B and C.



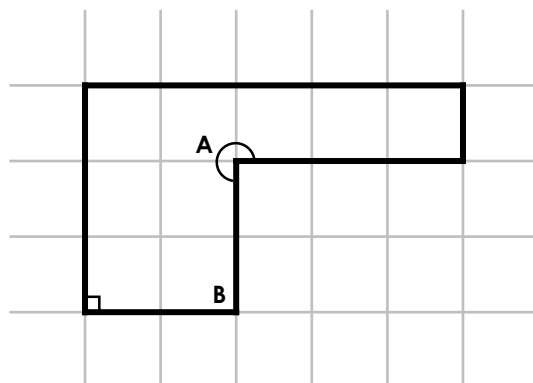
VF

2a. Calculate angles A and B.



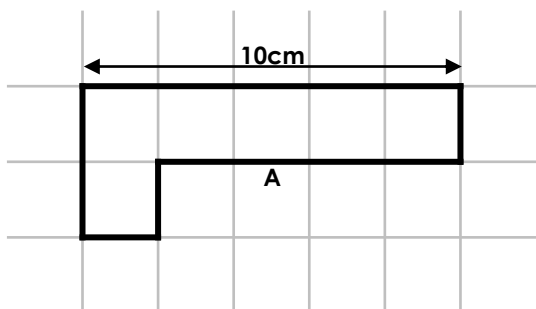
VF

2b. Calculate angles A and B.



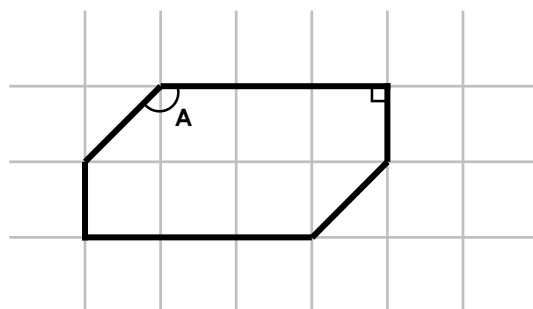
VF

3a. Side A is 6cm. True or false?



VF

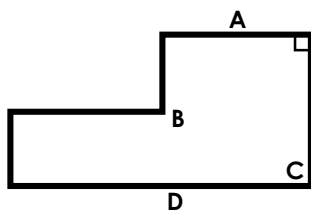
3b. Angle A is 90°. True or false?



VF

4a. Match the angles and lengths to the shape.

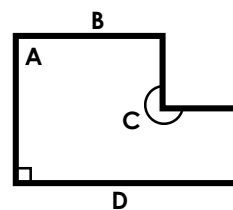
1. 270°
2. 3cm
3. 5cm
4. 90°



VF

4b. Match the angles and lengths to the shape.

1. 4cm
2. 90°
3. 6cm
4. 270°

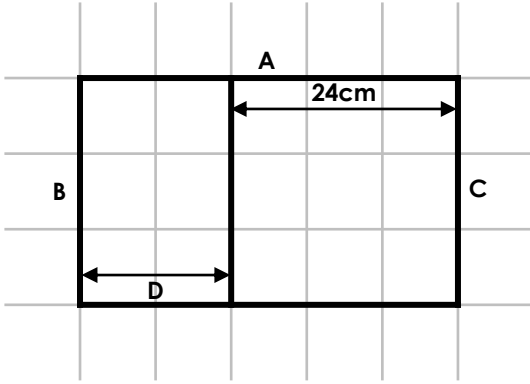


VF

# Lengths and Angles in Shapes

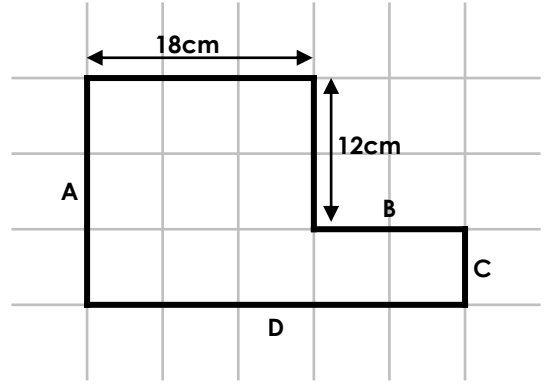
# Lengths and Angles in Shapes

5a. Calculate the length of sides A, B, C and D.



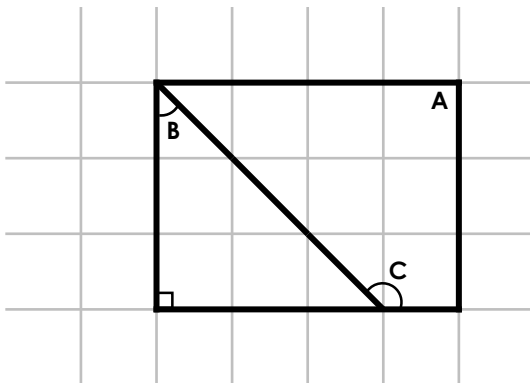
VF

5b. Calculate the length of sides A, B, C and D.



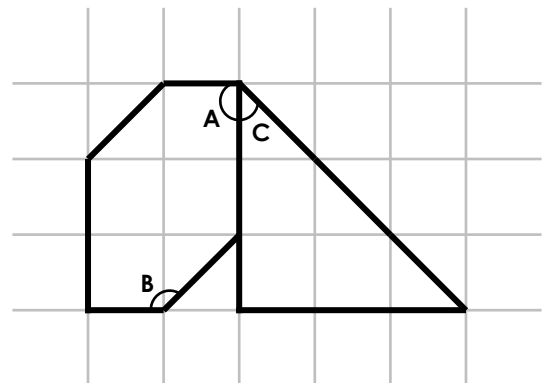
VF

6a. Calculate angles A, B and C.



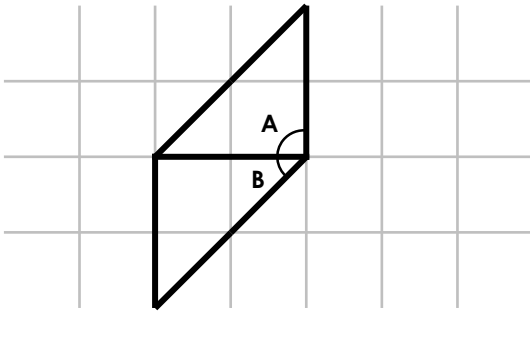
VF

6b. Calculate angles A, B and C.



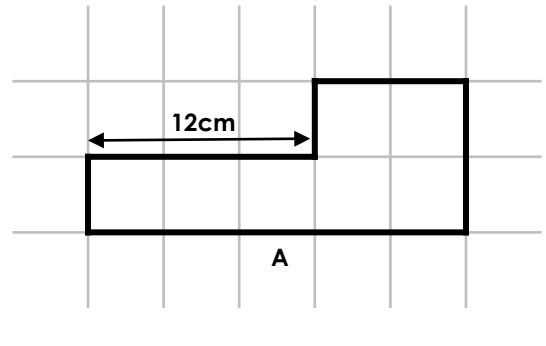
VF

7a. Angle A and Angle B total  $145^\circ$ . True or false?



VF

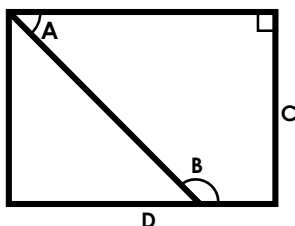
7b. Side A is 24cm. True or false?



VF

8a. Match the lengths and angles to the shape.

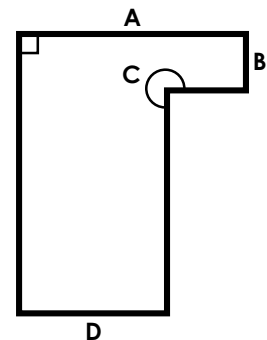
1. 12cm
2.  $135^\circ$
3.  $45^\circ$
4. 9cm



VF

8b. Match the lengths and angles to the shape.

1. 16cm
2.  $270^\circ$
3. 10cm
4. 4cm

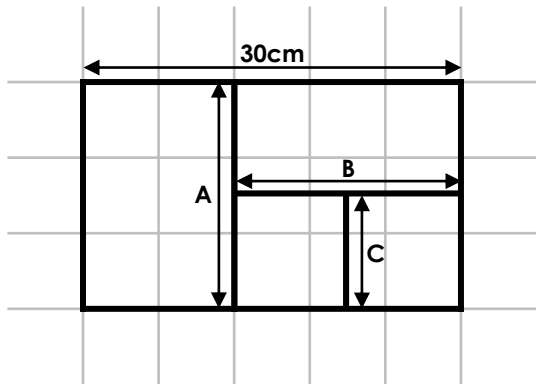


VF

# Lengths and Angles in Shapes

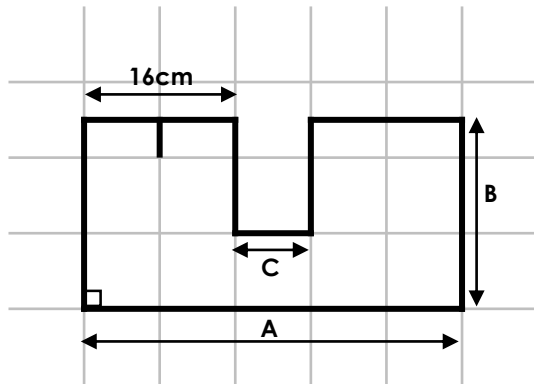
# Lengths and Angles in Shapes

9a. Calculate the length of sides A, B and C.



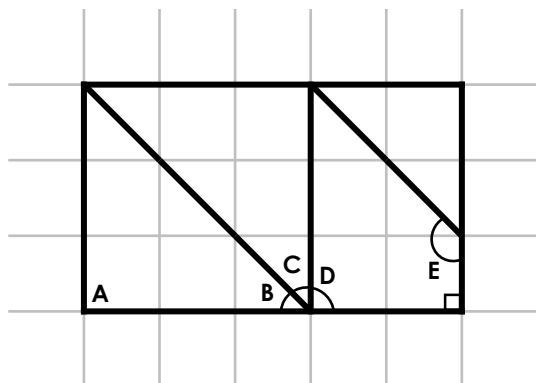
VF

9b. Calculate the length of sides A, B and C.



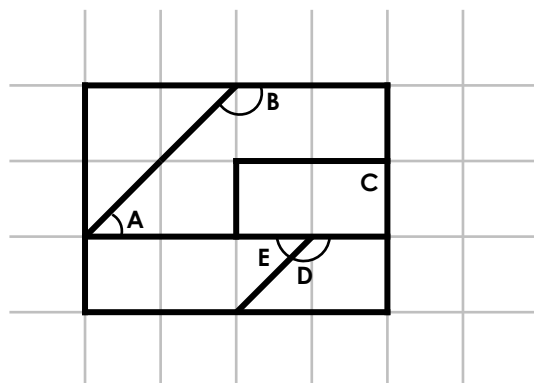
VF

10a. Calculate angles A, B, C, D and E.



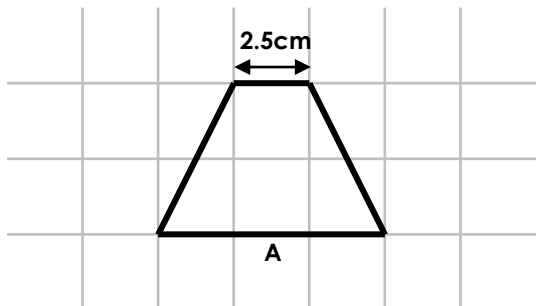
VF

10b. Calculate angles A, B, C, D and E.



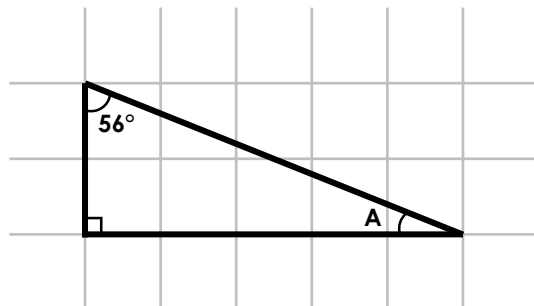
VF

11a. Side A is 7cm. True or false?



VF

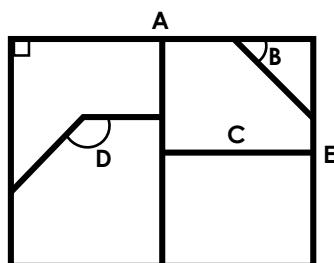
11b. Angle A is  $44^\circ$ . True or false?



VF

12a. Match the lengths and angles to the shape.

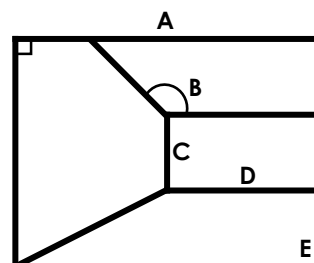
1. 9cm
2. 12cm
3.  $45^\circ$
4.  $135^\circ$
5. 6cm



VF

12b. Match the lengths and angles to the shape.

1.  $135^\circ$
2. 16cm
3. 4cm
4.  $90^\circ$
5. 8cm



VF

## Varied Fluency Lengths and Angles in Shapes

### Developing

- 1a.  $A = 2\text{cm}$ ;  $B = 4\text{cm}$ ;  $C = 6\text{cm}$   
2a.  $A = 90^\circ$ ;  $B = 135^\circ$   
3a. False, side A is 8cm  
4a. 1 – B; 2 – A; 3 – D; 4 – C

### Expected

- 5a.  $A = 40\text{cm}$ ;  $B = 24\text{cm}$ ;  $C = 24\text{cm}$ ;  
 $D = 16\text{cm}$   
6a.  $A = 90^\circ$ ;  $B = 45^\circ$ ;  $C = 135^\circ$   
7a. False, angle A and B total  $135^\circ$   
8a. 1 – D; 2 – B; 3 – A; 4 – C

### Greater Depth

- 9a.  $A = 18\text{cm}$ ;  $B = 18\text{cm}$ ;  $C = 9\text{cm}$ ;  
10a.  $A = 90^\circ$ ;  $B = 45^\circ$ ;  $C = 45^\circ$ ;  $D = 90^\circ$ ;  $E = 135^\circ$   
11a. False, side A is 7.5cm  
12a. 1 – E; 2 – A; 3 – B; 4 – D; 5 – C

## Varied Fluency Lengths and Angles in Shapes

### Developing

- 1b.  $A = 6\text{cm}$ ;  $B = 9\text{cm}$ ;  $C = 6\text{cm}$   
2b.  $A = 270^\circ$ ;  $B = 90^\circ$   
3b. False, angle A is  $135^\circ$   
4a. 1 – B; 2 – A; 3 – D; 4 – C

### Expected

- 5b.  $A = 18\text{cm}$ ;  $B = 12\text{cm}$ ;  $C = 6\text{cm}$ ;  
 $D = 30\text{cm}$   
6b.  $A = 90^\circ$ ;  $B = 135^\circ$ ;  $C = 45^\circ$   
7b. False, side A is 20cm  
8b. 1 – A; 2 – C; 3 – D; 4 – B

### Greater Depth

- 9b.  $A = 40\text{cm}$ ;  $B = 20\text{cm}$ ;  $C = 8\text{cm}$   
10b.  $A = 45^\circ$ ;  $B = 135^\circ$ ;  $C = 90^\circ$ ;  $D = 135^\circ$ ;  
 $E = 45^\circ$   
11b. False, angle A is  $34^\circ$   
12b. 1 – B; 2 – A; 3 – C; 4 – E; 5 – D