

# Equivalent lengths – mm and cm

- 1 There are 10 millimetres (mm) in 1 centimetre (cm).  
Use the bar models to complete the sentences.

1 cm
10 mm

a)

1 cm	1 cm	1 cm
10mm	10mm	10mm

There are  mm in 3 cm.

b)

1 cm	1 cm	1 cm	1 cm	1 cm	1 cm	1 cm
10mm	10mm	10mm	10mm	10mm	10mm	10mm

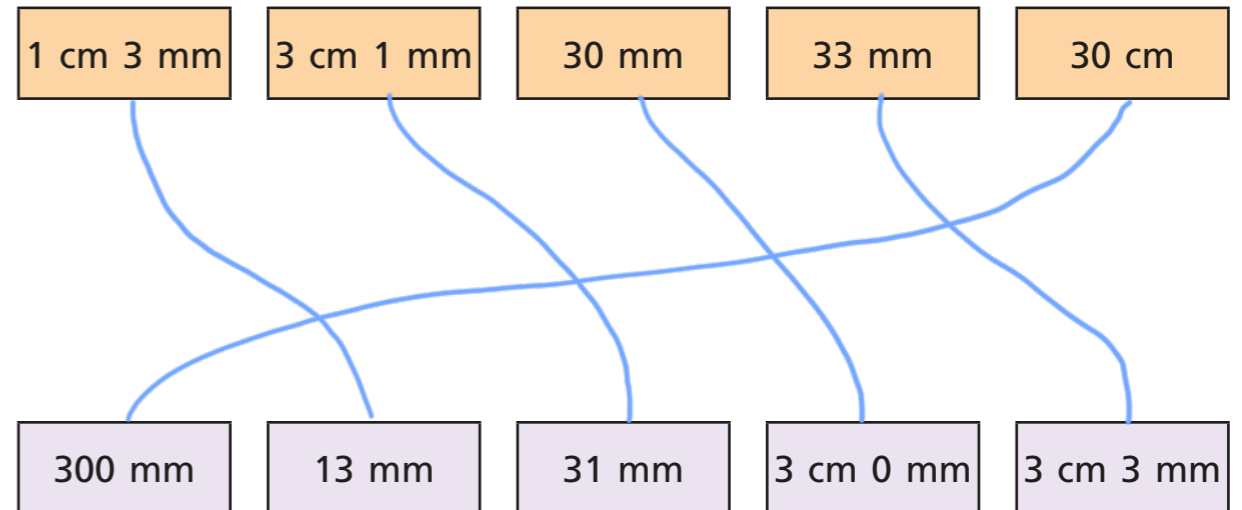
There are  mm in 7 cm.

c)

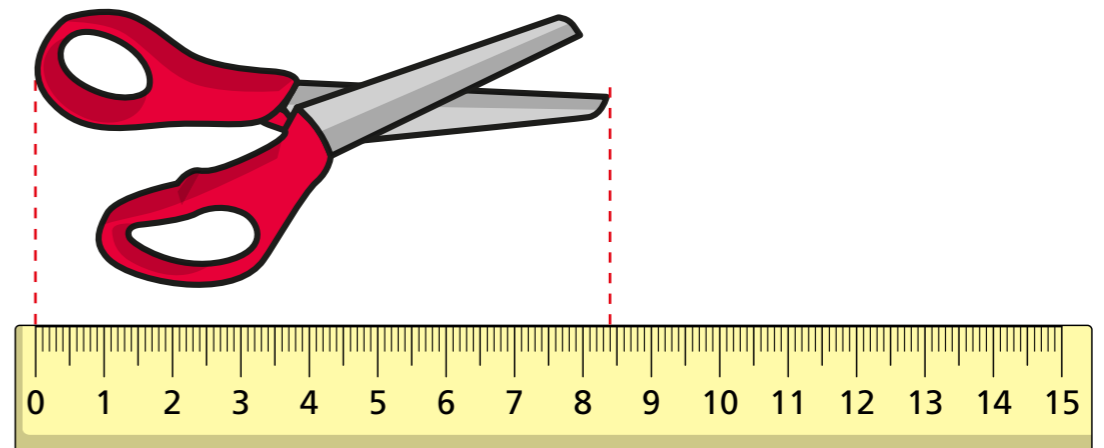
1cm	1cm	1cm	1cm
10 mm	10 mm	10 mm	10 mm

There are 40 mm in  cm.

- 2 Match the equivalent lengths.



- 3 How long are the scissors?



The scissors are  cm and  mm long.

The scissors are  mm long.



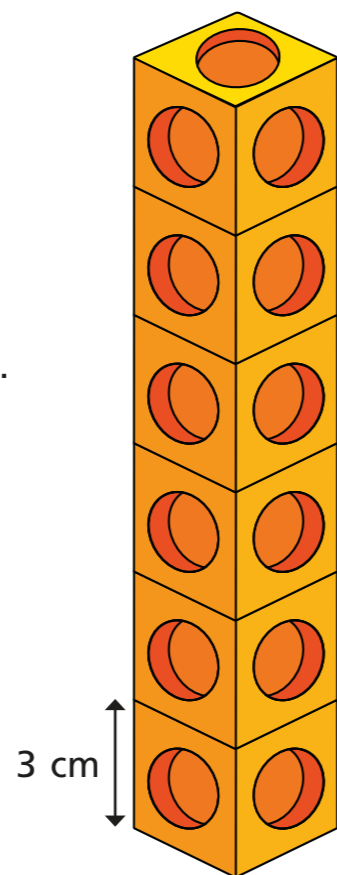
- 4 Find three items in your classroom.  
Measure them and complete the table.

One has been done for you.

Item	Length in cm and mm	Length in mm
toy car	9 cm 6 mm	96 mm

- 5 Filip and Kim are building towers using cubes.  
Each cube is 3 cm high.

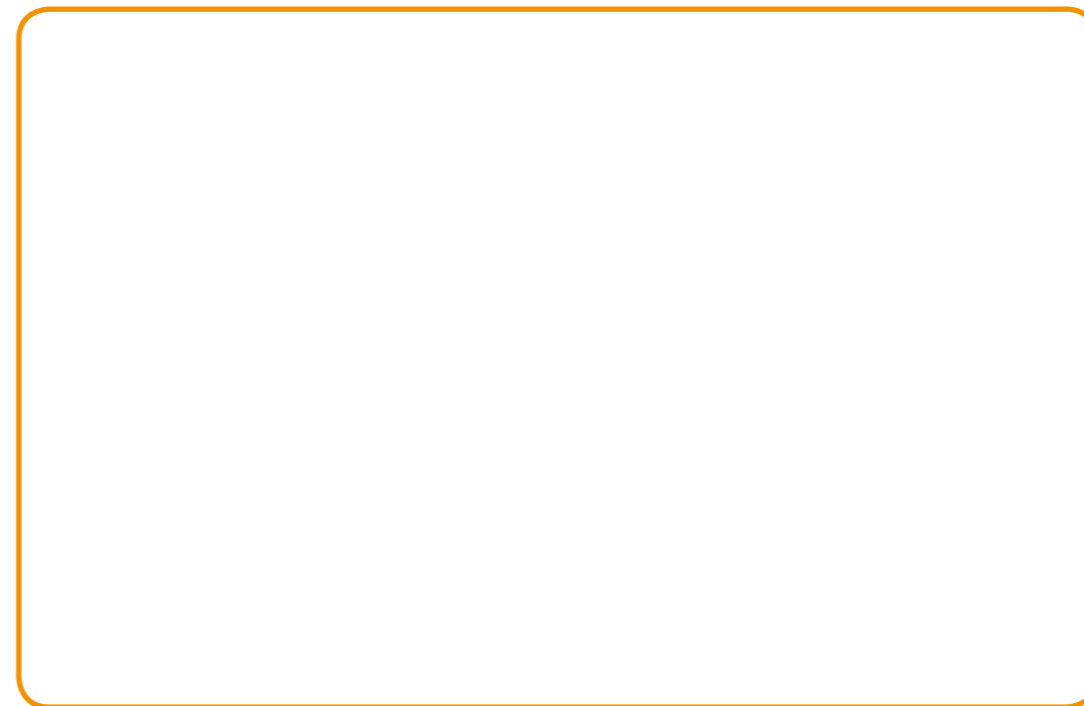
- a) Filip uses 6 cubes.  
How tall is Filip's tower?  
Give your answer in millimetres.



Filip's tower is  mm tall.

- b) Kim's tower is 300 mm tall.

How many cubes does she use?



Kim uses  cubes.

- 6 Complete the bar models.

